

i-726™

THE ADVANCE DRIVER FOR AUTOMATIC SLIDING GATE



updated feature 1:-

DC PM (permanent magnet) motor has replaced the conventional AC induction motor.

Advantages:-

Operated by DC24V low voltage, it's free from electric shock hazard. DC PM motor has better efficiency and better starting torque. Amazingly, a 100W DC PM motor works better and safety than a 600W A induction motor.

updated feature 2:-

Dual speed operation.

Advantages:-

Move faster than any conventional design and reduce to the "softest" speed when approaching the end that eliminates any banging noise.

updated feature 3:-

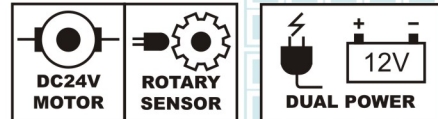
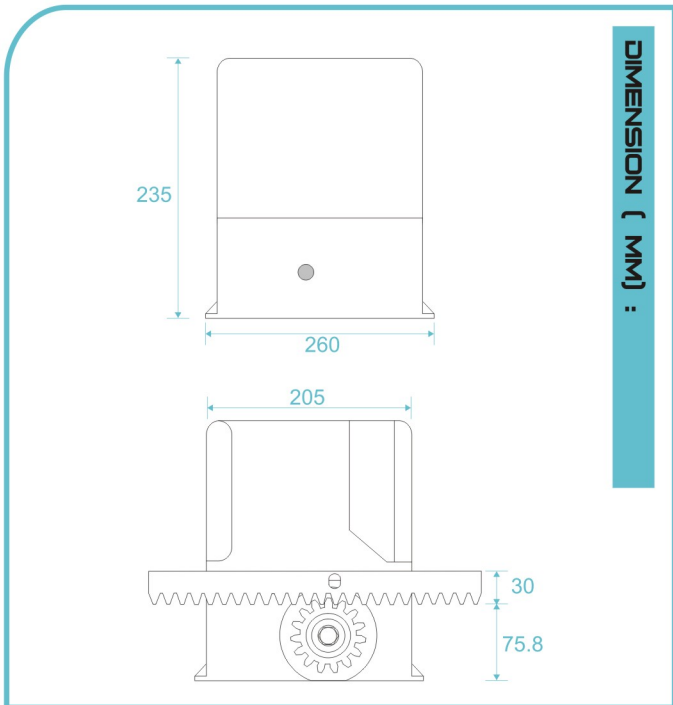
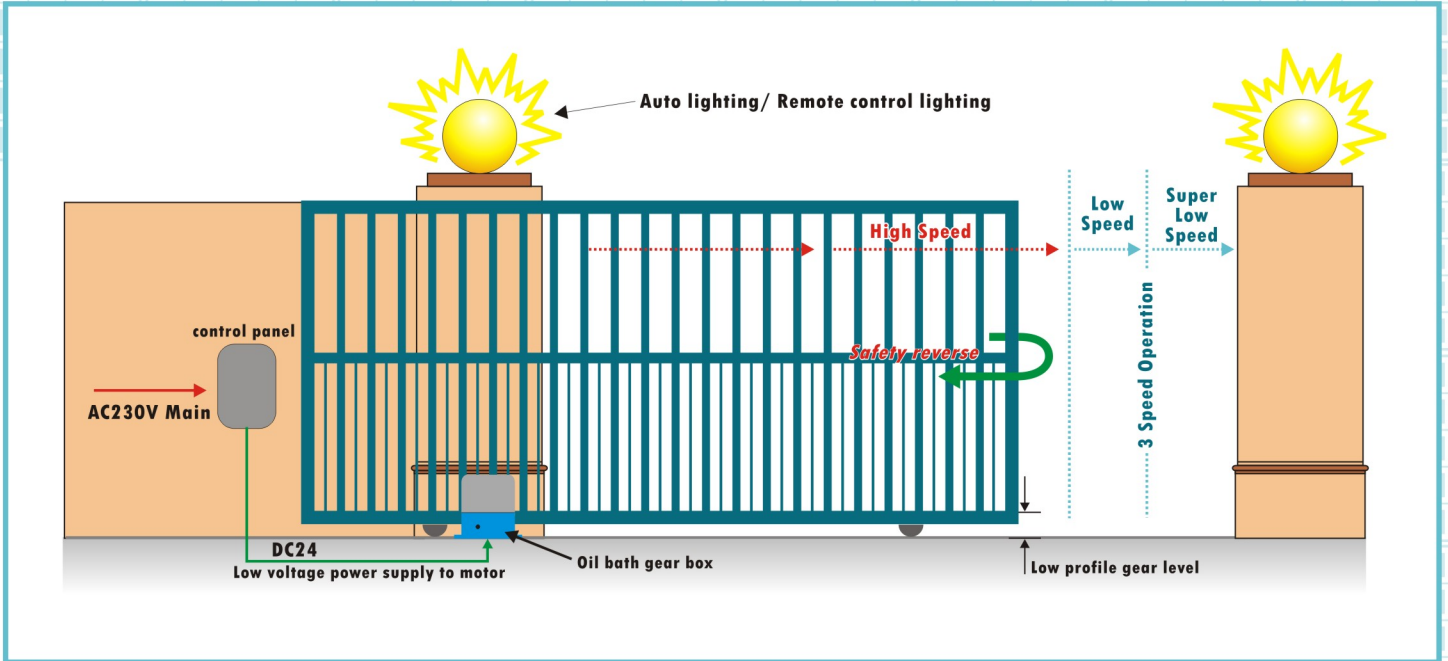
The advance 'Digital Rotary Sensor' replaces the conventional limit switch control method.

Advantages:-

Conventional limit switches devices are exposed to the outside (at the gate) and tends to break down under certain unavoidable circumstances. Manual adjustment is a frequent maintenance to ensure proper closure of the gate.

'Digital Rotary sensor' is built inside the driving motor and fully interacts with the advance digital control panel. No more maintenance is required as everything is fine tuned to its best automatically every time you operate the system.

i-726™ 3 SPEED TECHNOLOGY WITH DIGITAL SOFT DOWN SPEED



TECHNICAL SPECIFICATIONS :

Sliding type automatic gate control

Driving method:	Rack and pinion of module 4
Operating voltage:	DC24V for normal speed DC12V for cushioning speed
Max. Output power:	150W
Gate Speed:	
@ High Speed	30cm/sec.
@ Low Speed	15cm/sec.
@ Super Low Speed	5cm/sec.
Max. Weight of gate:	600kg
Max. Length of gate:	10 meter
DSPS device:	Rotary magnetic sensor
Gearbox:	Oil bath worm type reducer
Safety clutch:	Electronic current sensing
Backup battery:	12V 7AH
Safety barrier:	Infrared beam sensor (optional)
Main supply:	AC110V / 220V, 60Hz / 50Hz
Electronic controller:	Microcomputer based
Remote controller:	UHF Digital PWM type
Temperature:	0 to +80 C

Some changes may have happened to the product after this brochure is printed. The appearance and feature of the actual product may be slightly different from the illustration.

i-726 reserves the right to make technical changes to the product without notice.